

# Contents

Fiber - TF Series ----- 1-3

CO2 - TC Series ----- 4

UV - TU Series ----- 5



**Table Type Q Switched Fiber Laser Marker  
(20-50W)**

Model	TF-QS20	TF-QS30	TF-QB50
<b>Laser Generator</b>			
Laser Power(W)	20W	30W	50W
Frequency(kHz)	30-60kHz	30-60kHz	50-100kHz
Pulsed Width(ns)	130ns	130ns	130ns
<b>Control System</b>			
Software	EZCAD2		
Controller	FBLI-B-V4		
<b>Scanning System</b>			
Marking Speed(mm/s)	6000mm/s(12000mm/s optional)		
Marking Size (mm)	160*160mm(70*70, 100*100,200*200,300*300mm optional)		
<b>Others</b>			
Power Supply	110V/220V Optional		
Cable Length	3M		
Adjustable Z Lift Travel	500mm(700mm Optional)		
Cooling Method	Air Cooling		



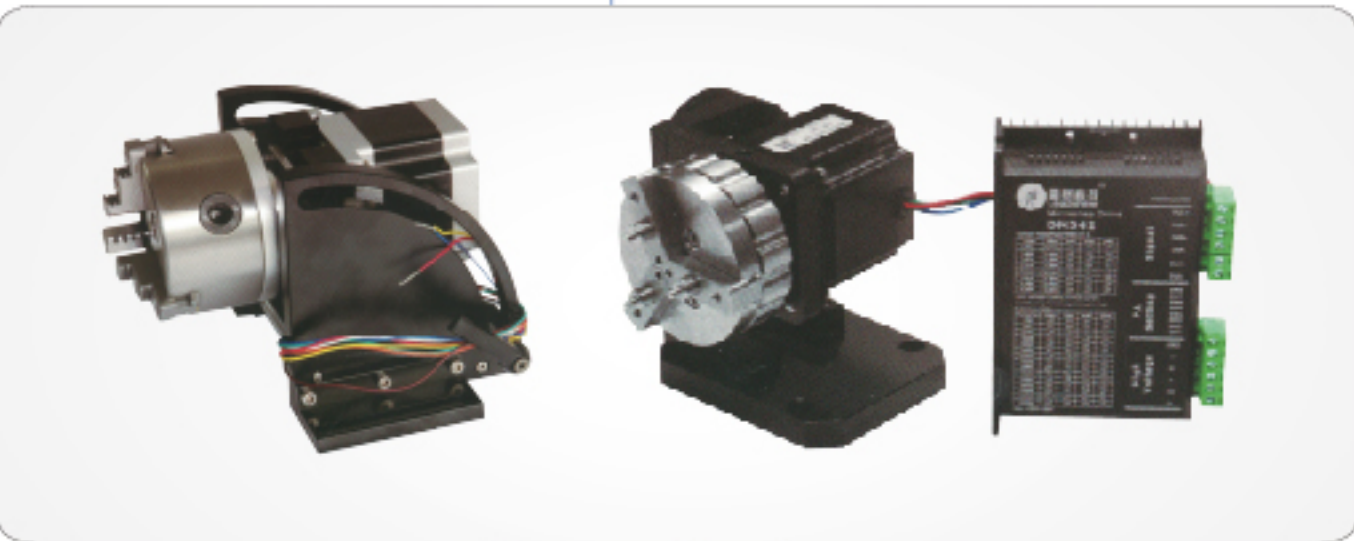


**Table Type MOPA Fiber Laser Marker (20-50W)**

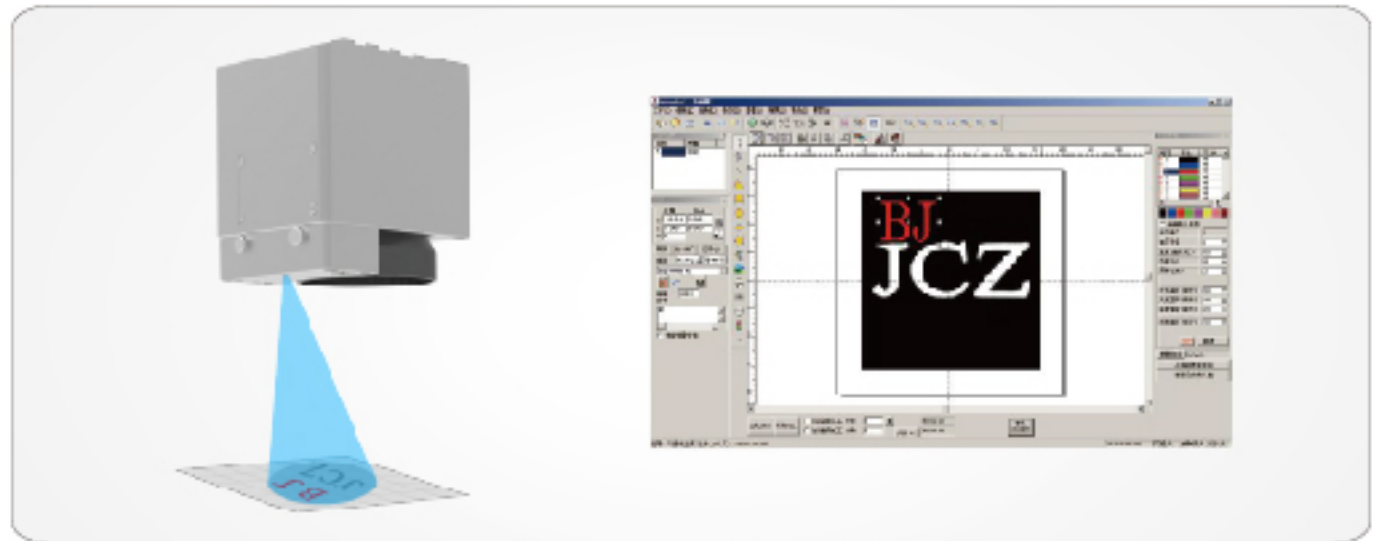
Model	TF-ELP20	TF-ELP30	TF-ELP50	TF-EM720	TF-EM730
<b>Laser Generator</b>					
Laser Power(W)	20W	30W	50W	20W	30W
Frequency(kHz)	1-600kHz	1-600kHz	1-600kHz	1-4000kHz	1-4000kHz
Pulsed Width(ns)	200ns	200ns	200ns	2-350ns	2-350ns
<b>Control System</b>					
Software	EZCAD2.14.11				
Controller	FBLI-B-V4				
<b>Scanning System</b>					
Marking Speed(mm/s)	6000mm/s (12000mm/s optional)				
Marking Size (mm)	160*160mm (70*70, 100*100, 200*200, 300*300mm optional)				
<b>Others</b>					
Power Supply	110V/220V Optional				
Cable Length	2M (3/4/5M Optional)				
Adjustable Z Lift Travel	500mm(700mm Optional)				
Cooling Method	Air Cooling				



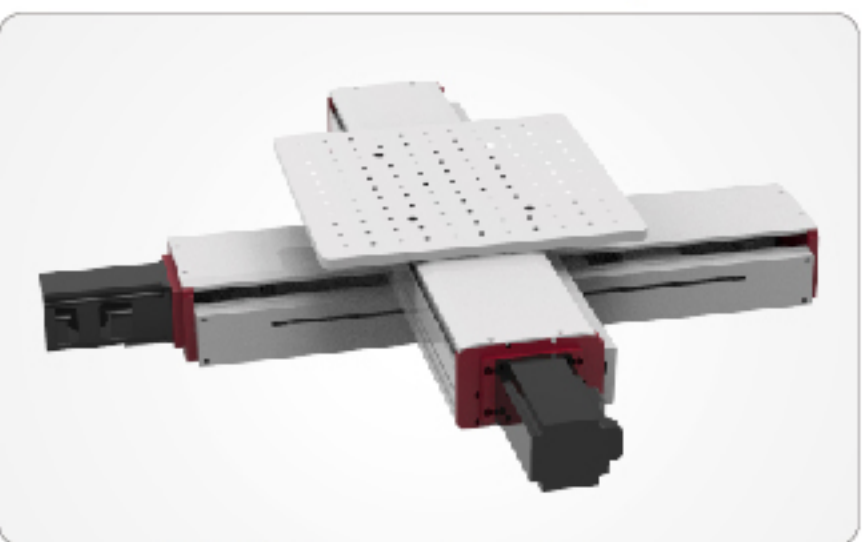
**Optional**



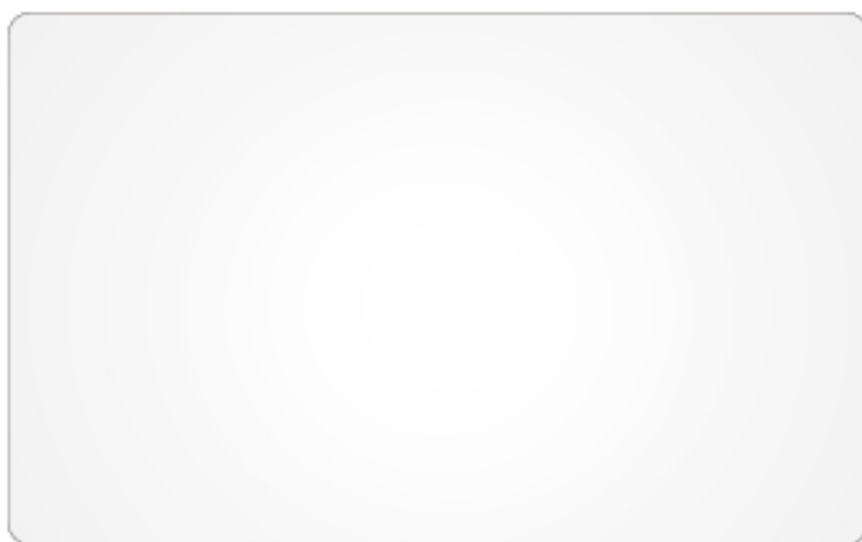
**Rotary Device**



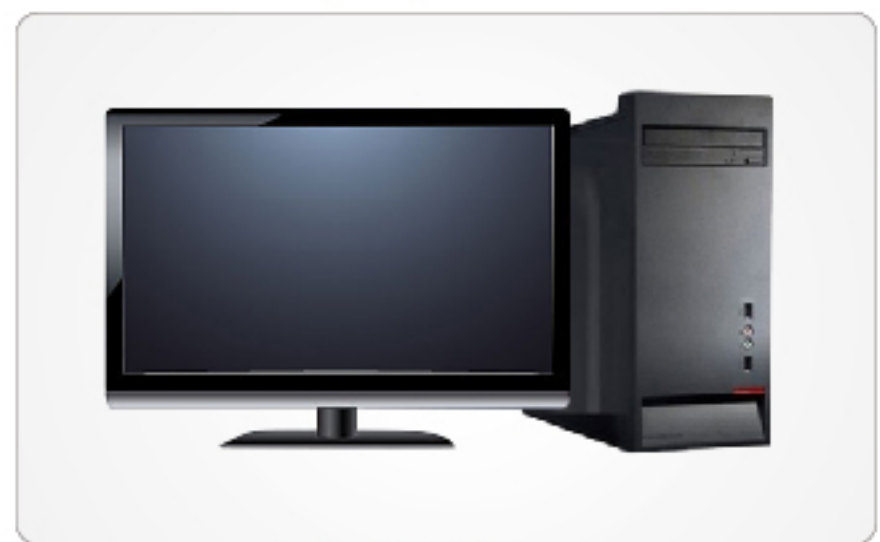
**Camera Display**



**X Y Motorized Stage**



**Auto Focusing**



**PC & Monitor**





### Table Type MOPA Fiber Laser Marker (60-100W)

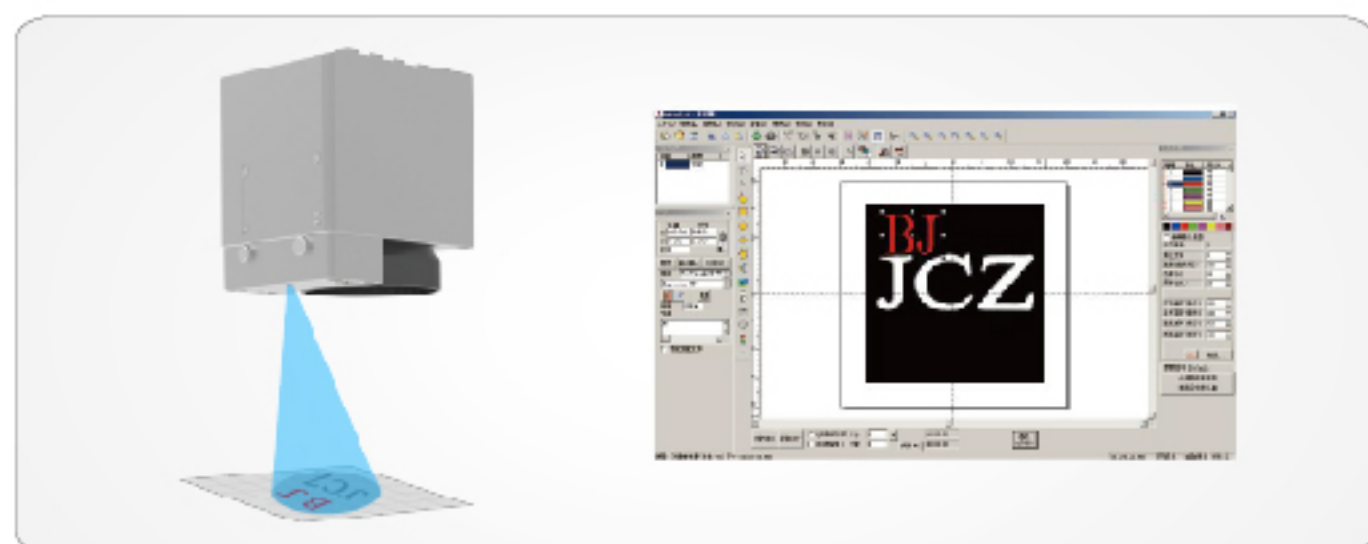
Model	TF-M760	TF-M780	TF-M7100
<b>Laser Generator</b>			
Laser Power(W)	60W	80W	100W
Frequency(kHz)	1-4000kHz	1-4000kHz	1-4000kHz
Pulsed Width(ns)	2-500ns	2-500ns	2-500ns
<b>Control System</b>			
Software	EZCAD2		
Controller	FBLI-B-V4		
<b>Scanning System</b>			
Marking Speed(mm/s)	6000mm/s (12000mm/s optional)		
Marking Size (mm)	160*160mm (70*70, 100*100,200*200,300*300mm optional)		
<b>Others</b>			
Power Supply	110V/220V Optional		
Cable Length	3M		
Adjustable Z Lift Travel	500mm(700mm Optional)		
Cooling Method	Air Cooling		



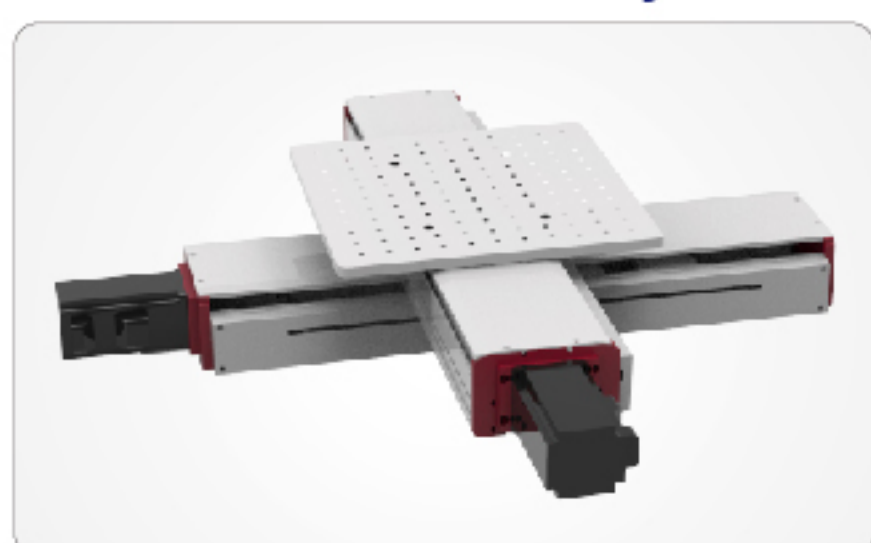
## Optional



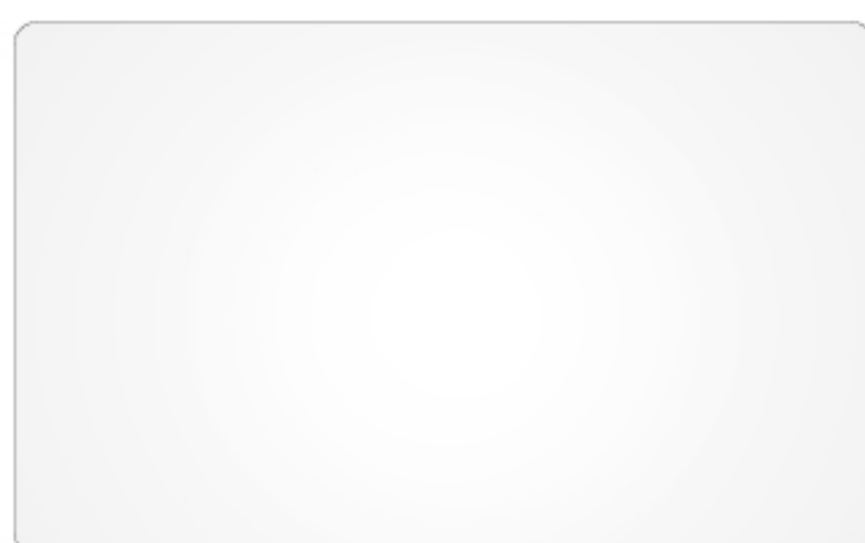
Rotary Device



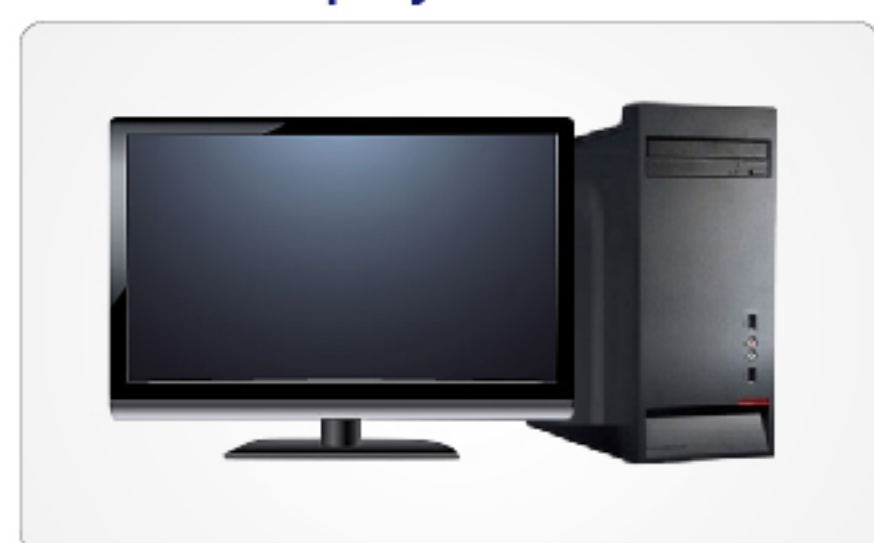
Camera Display



X Y Motorized Stage



Auto Focusing



PC & Monitor



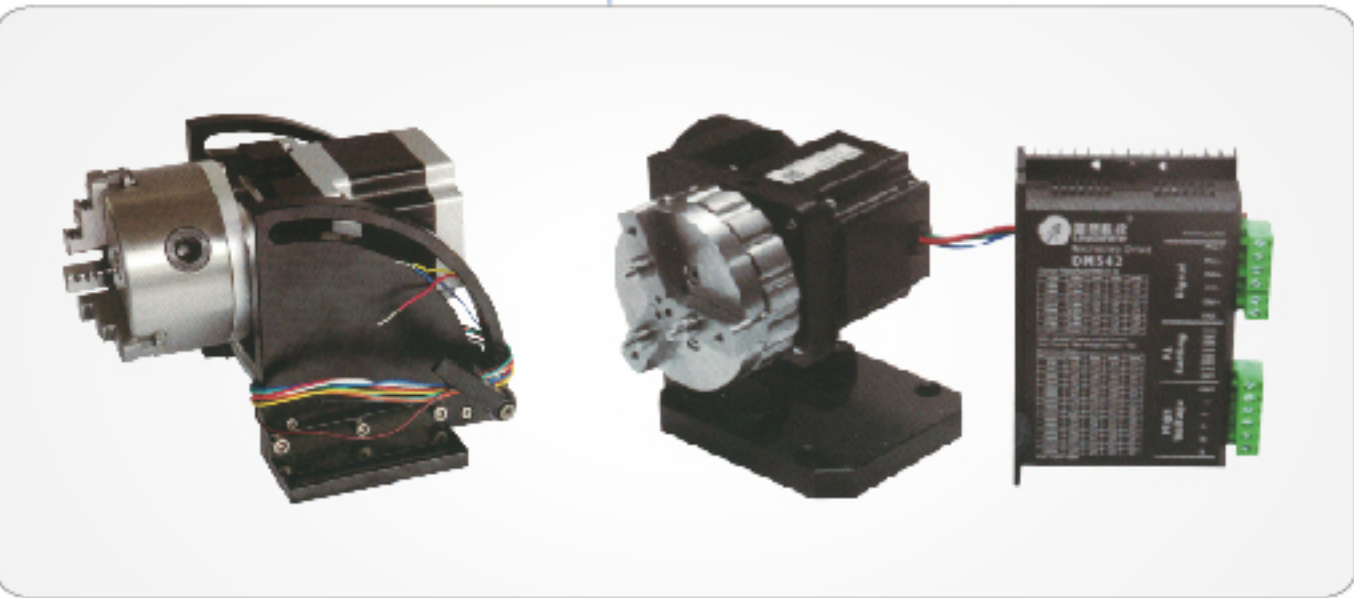


## Table Type CO2 Laser Marker (20-50W)

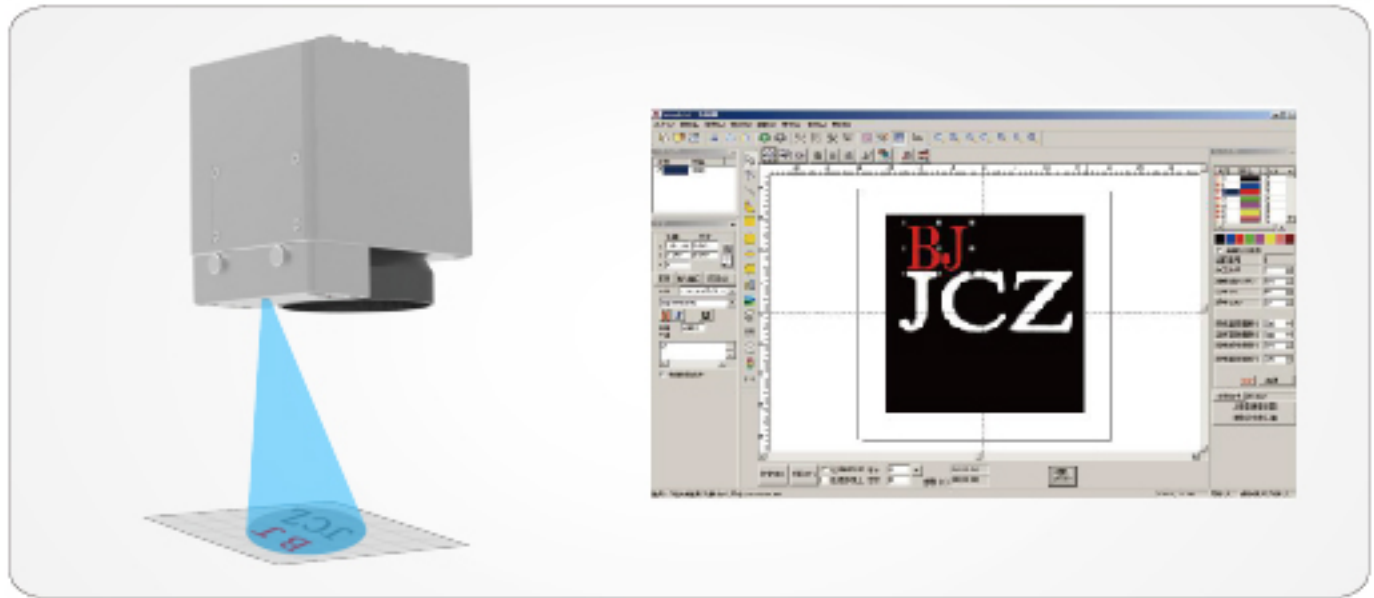
Model	TC-D20	TC-D30	TC-D50
<b>Laser Source</b>			
Laser Power(W)	20W	30W	50W
Frequency(kHz)	0-25kHz	0-25kHz	0-25kHz
<b>Control System</b>			
Software	EZCAD2		
Controller	SZLI-B-V4		
<b>Scanning System</b>			
Marking Speed(mm/s)	6000mm/s (12000mm/s optional)		
Marking Size (mm)	160*160mm (70*70, 100*100,200*200,300*300mm optional)		
<b>Others</b>			
Power Supply	110V/220V Optional		
Adjustable Z Lift Travel	500mm(700mm Optional)		
Cooling Method	Air Cooling		



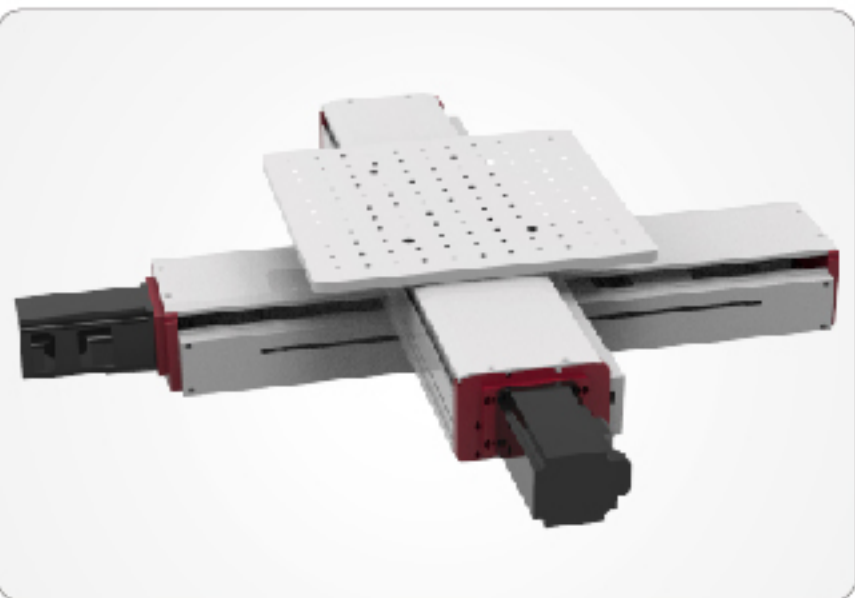
## Optional



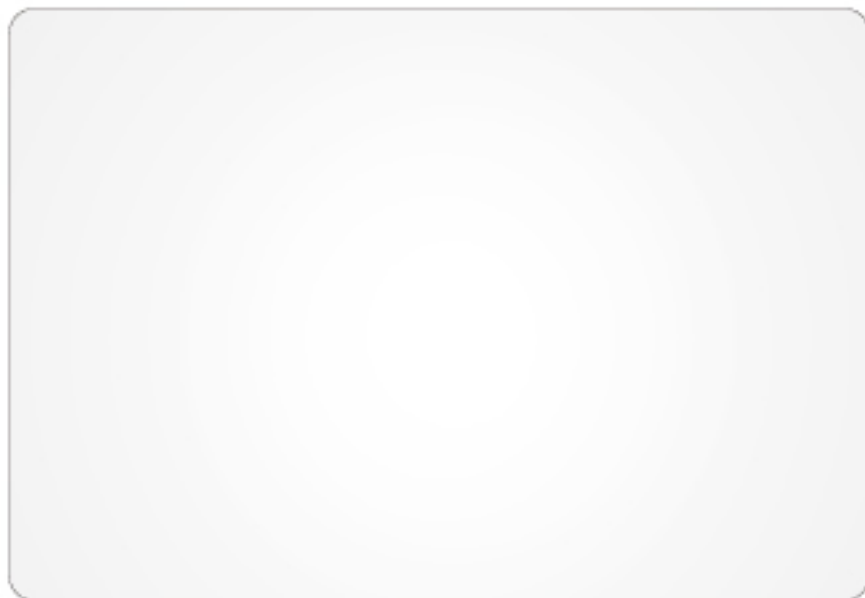
Rotary Device



Camera Display



X Y Motorized Stage



Auto Focusing



PC & Monitor



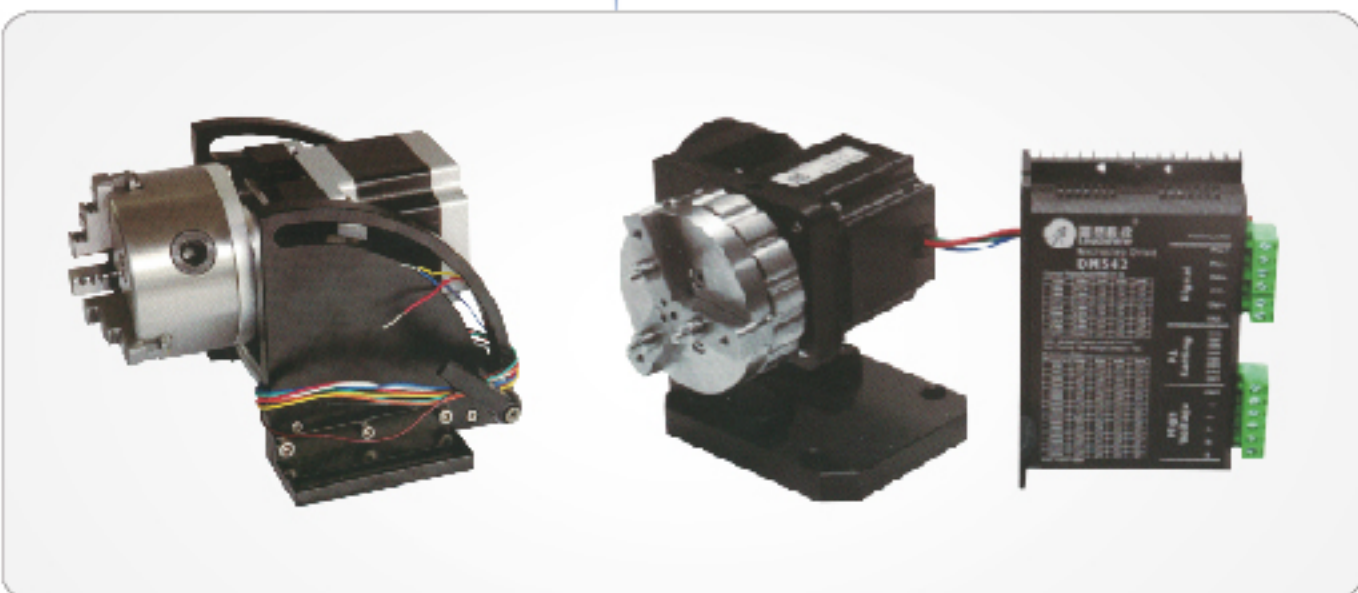


## Table Type UV Laser Marker (3-10W)

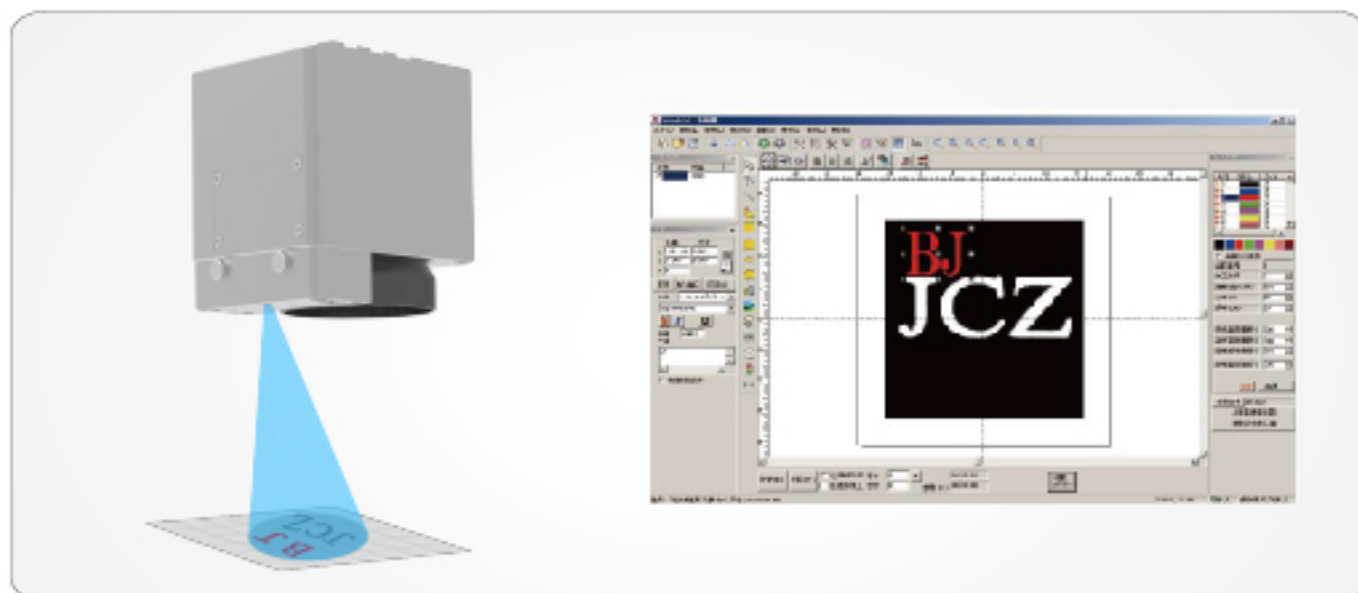
Model	TU-L3A	TU-G5X	TU-S10
<b>Laser Source</b>			
Laser Power(W)	3W	5W	10W
Frequency(kHz)	20-200kHz	10-150kHz	40-300kHz
Pulsed Width(ns)	18ns	16ns	15ns
<b>Control System</b>			
Software	EZCAD2		
Controller	SZLI-B-V4		
<b>Scanning System</b>			
Marking Speed(mm/s)	6000mm/s (12000mm/s optional)		
Marking Size (mm)	160*160mm (70*70, 100*100,200*200,300*300mm optional)		
<b>Others</b>			
Power Supply	110V/220V Optional		
Adjustable Z Lift Travel	500mm(700mm Optional)		
Cooling Method	Air Cooling	Water Cooling	



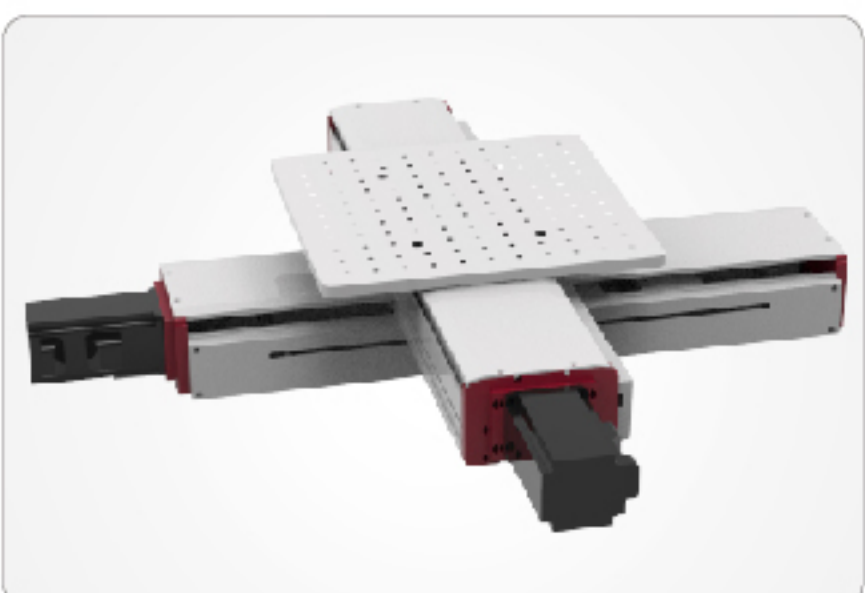
## Optional



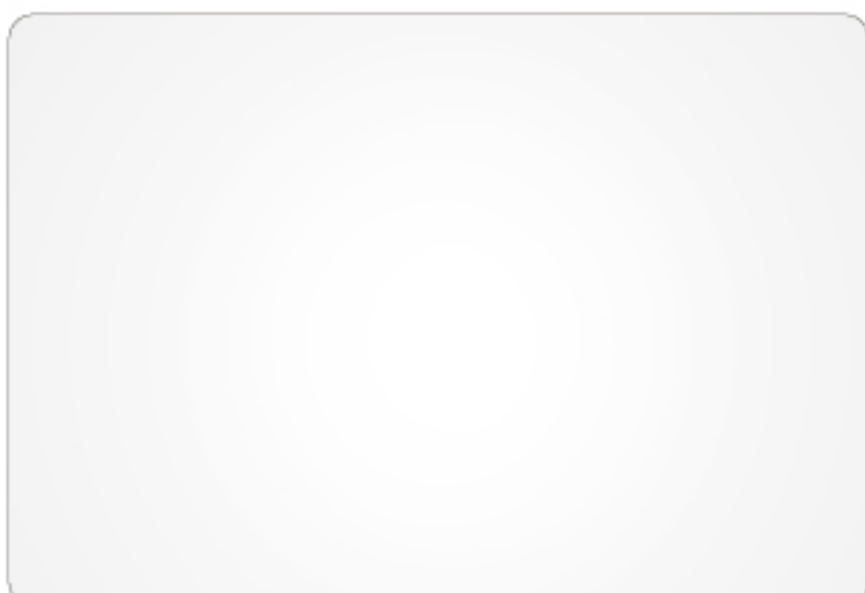
Rotary Device



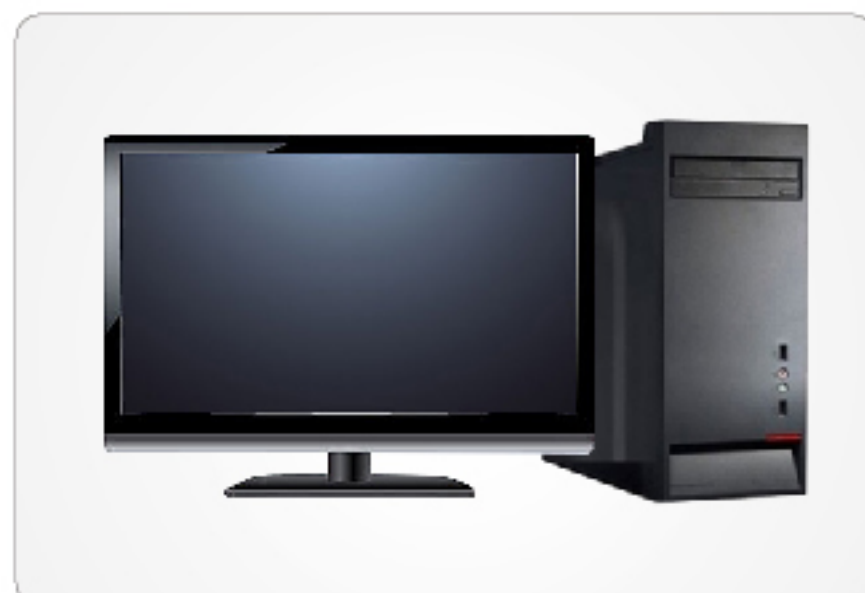
Camera Display



X Y Motorized Stage



Auto Focusing



PC & Monitor